

 **EUREKA**  
**ASSORTMENTS**



# PRODUCT CATALOGUE



[www.eureka-assortment.com](http://www.eureka-assortment.com)

Catalogue 2017

## STANDARD KITS

DESCRIPTION	PAGE	DESCRIPTION	PAGE
AIR LINE	4	MINITURE BEARINGS	23
AUTO BULB	5	NUTS & BOLTS	24
AUTO ELECTRICAL	5	O-RINGS	25-27
BEARING & SEAL FITTING	6	R CLIPS	27
BONDED WASHERS	7	ROLL PINS	28
CHAIN JOINERS	8	RECOILS	28
CIRCLIP PLIERS	9	RODENDS	29-30
CIRCLIPS	10	RIVETS	31
CLEVIS / HITCH PINS	11	SELF TAPPING SCREWS	31
COPPER WASHERS	11	STEEL BALLS	32
DRIVER BIT INSERTS	12	SEMI PRECISION BEARINGS	33
E CLIPS	12	SEALING & FIBER WASHERS	33
EYE BOLTS	13	SHAFT COLLARS	34
GROMMETS	14	SPLIT PINS	35
HEAT SHRINK TUBE	14	SPRINGS	36
FUSES	15-16	U TYPE SPEED NUTS	36
GREASE NIPPLES	17	SQ BALL JOINTS	37
GRUB SCREWS	18-19	TEFLON BUSHES	38
HOSE CLAMPS	19	WASHERS	39
HOME HARDWARE	20	WING NUTS	39
LOCK TAB NUTS & WASHERS	20	WIRE TERMINALS	40
KEY STEEL	21	WOODRUFF KEYS	40
LUBRICATION	22	WOOD SCREWS	41
LYNCH PINS	22		

## STAINLESS KITS

DESCRIPTION	PAGE	DESCRIPTION	PAGE
CANVAS FASTENERS	42	MACHINE SCREWS	44
COUNTER SUNK SCREWS	42	FASTENERS	45
CIRCLIPS	43	RODENDS	45
E-CLIPS	44		

## REPLACEMENT PACKS

DESCRIPTION	PAGE	DESCRIPTION	PAGE
COPPER WASHERS	46	KEY STEEL	48
FIBER/RUBBER WASHERS	46	RECOILS	49
GREASE NIPPLES	47	ROLL PINS	49
GROMMETS	47	SPLIT PINS	50
HEAT SHRINK TUBES	48	WOODRUFF KEYS	50

## MERCHANDISERS

DESCRIPTION	PAGE	DESCRIPTION	PAGE
BRONZE BUSHES	52	SHAFT COLLARS	52
DISPLAY STANDS	52	SHOP DISPLAYS	53-54
RODENDS	52	STORAGE BOXES	55
SEMI PRECISION	52		

## METRIC AIR LINE FITTINGS



EA-AIR LINE METRIC KIT

SIZE	QTY	SIZE	QTY
4 MM	4	10 MM	4
6 MM	4	12 MM	3
8 MM	4	16 MM	3

### GENERAL INFORMATION

Push-in airline fittings allow rapid, reliable assembly of circuits to convey compressed air, various gases, or liquids at a wide range of pressures and temperatures. Rapid connection and disconnection between fittings and tubes can be done by hand, eliminating the need for tools.



## IMPERIAL AIR LINE FITTINGS



EA-AIR LINE IMPERIAL KIT

SIZE	QTY	SIZE	QTY
1/8"	6	3/8"	6
1/4"	6	1/2"	4





## AUTO LIGHT BULB



EA-AUTO BULB KIT

PART	QTY	PART	QTY
12v - 2w	2	12v - 18w	1
12v - 3w	2	12v - 21w	1
12v - 3w	3	12v - 21/3w	2
12v - 8w	2	12v - 23/8w	2
12v - 12w	1	12v - 27/8w	2

### GENERAL INFORMATION

The light bulb replacements are for general applications such as , T5 size and shape, wedge base used in push button interior lights. S-8 size and shape, double contact bayonet base for park and combination light. And B6 size and shape, single contact bayonet base used in indicators .

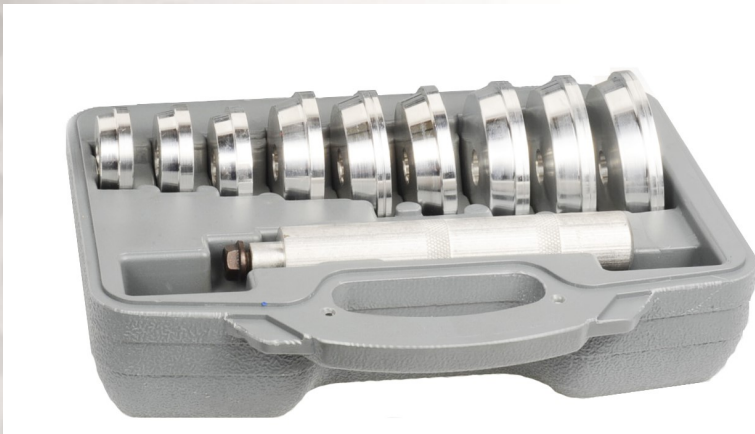
## AUTO ELECTRICAL



EA-ATUO ELECT KIT

PART	QTY	PART	QTY
CRIMP TOOL	1	FUSE PULLER	1
6/12V TESTER	1	PRIMARY WIRE	1
SLOTTED DRIVER	1	1/8 WIRE CLAMPS	10
PHILLIPS DRIVER	1	1/4 WIRE CLAMPS	3
ELECTRICAL TAPE	1	CABLE TIES	50
TEST LEADS	2	RUBBER GROMETS	6
BLADE FUSES	5	WIRE NUTS	26
GLASS FUSES	5	INSULATED TERMINALS	160

## BEARING AND SEAL FITTING KIT



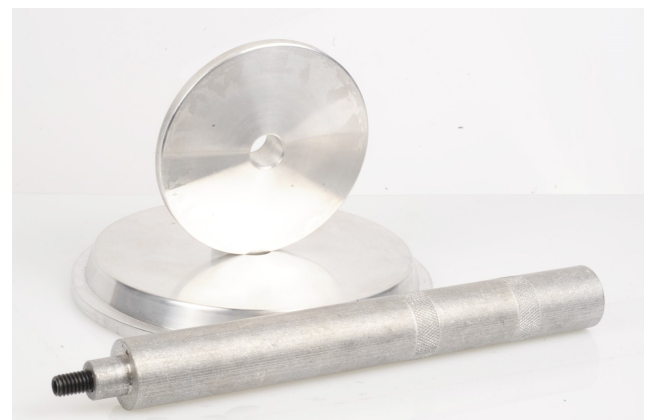
EA-BEARING AND SEAL FITTING KIT

SMALL KIT		LARGE KIT	
39.7 MM	N° 1	92.7 MM	
44.2 MM	N° 2	121.7 MM	
49.8 MM	N° 3	123.4 MM	
58.9 MM	N° 4	139.2 MM	
62.9 MM	N° 5	145.8 MM	
64.7 MM	N° 6	151.9 MM	
71.9 MM	N° 7		
76.1 MM	N° 8		
80.8 MM	N° 9		

### GENERAL INFORMATION

The bearing race & seal driver tools can be used on a wide variety of bearings and seals used in the automotive and industrial industries.

The affective design enables the tool to be used in many ways, the tapered side allows the tool to be centred on the cup of most tapered bearings





## METRIC BONDED WASHERS



EA- BONDED METRIC WASHER KIT

SIZE	QTY	SIZE	QTY
No 207 (6.7x11x1)	10	No 229(16.7x24x1.5)	10
No 213 (8.7x14x1)	10	No 232(18.7x26x1.5)	10
No 217 (10.7x16x1.5)	10	No 236 (22.7x30x2)	10
No 222 (12.7x18x1.5)	10	No 239 (26.7x35x2)	10
No 225 (13.7x22x1.5)	10	No 242 (31x39x2)	10
No 227 (14.7x22x1.5)	10		

### GENERAL INFORMATION

A metal washer bonded to rubber, bonded washers (Dowty washer) are used to prevent leakage of lubricants through fasteners of hydraulic fittings, pipe join, flanges and valve bodies. A bonded washer consists of a flat metal ring and rubber bonded to the internal diameter that is thicker than the metal washer. As the bolt or fitting is tightened, it compresses the rubber seal element until fully tightened upon the metal ring creating an efficient high pressure seal.



## IMPERIAL BONDED WASHERS



EA-BONDED IMP WASHER KIT

SIZE	QTY	SIZE	QTY
No 007 (8.64x14.22x1.2)	10	No 025 (21.54x28.58x2.5)	10
No 010 (14.86x22.23x2)	10	No 026 (23.49x31.75x2.3)	10
No 020 (10.37x15.88x2)	10	No 027 (27.05x34.93x2.3)	10
No 021 (13.74x20.57x2)	10	No 029 (30.81x38.1x2.3)	10
No 023 (17.28x23.8x2)	10	No 030 (33.89x42.8x3.2)	10
No 024 (19.69x26.92x2.3)	10		



## CHAIN JOINER LINKS



EA-CHAIN CONLINK KIT

BRITISH	QTY	AMERICAN	QTY
06B-1	20	35-1 ASA	20
08B-1	10	40-1 ASA	20
10B-1	10	41-1 ASA	20
12B-1	10	50-1 ASA	10
16B-1	5	60-1 ASA	10
		80-1 ASA	4

### GENERAL INFORMATION

Chain connecting links come in many varieties, the two most popular are the clip and the rivet type. Connecting links are used during chain installation or maintenance to join the loose ends of the chain to form one complete loop. Clip connecting links are generally used for low displacement motors or off-road motorcycles as they generally can tolerate less power and can be installed or removed using hand tools.



## CHAIN OFFSET LINKS



EA-CHAIN OFFSET LINK KIT

BRITISH	QTY	AMERICAN	QTY
06B-1	20	35-1 ASA	20
08B-1	10	40-1 ASA	20
10B-1	10	41-1 ASA	20
12B-1	10	50-1 ASA	10
16B-1	5	60-1 ASA	10
		80-1 ASA	4

### GENERAL INFORMATION



We have a great range of power transmission products for more information please contact your nearest Eureka Distributor.



## 6 INCH CIRCLIP PLIERS



EA-CIRCLIP PLIER KIT 6 INCH

INTERNAL	QTY	EXTERNAL	QTY
STRAIGHT	2	STRAIGHT	2
BENT	2	BENT	2

### GENERAL INFORMATION

There are two basic types of circlip: internal and external. External circlips are fitted over a shaft and are sized relative to the recommended shaft size to which they are to be fitted. The circlip plier is designed specifically for these fasteners, to make application of the retainer easy. They come in many shapes and sizes.



## 8 INCH CIRCLIP PLIERS



EA-CIRCLIP PLIER KIT 8 INCH

INTERNAL	QTY	EXTERNAL	QTY
STRAIGHT	2	STRAIGHT	2
BENT	2	BENT	2

### GENERAL INFORMATION

We have a great range of pliers for more information please contact your nearest Eureka Distributor.



## INTERNAL CIRCLIPS



EA-CIRCLIP INT KIT

SIZE	QTY	SIZE	QTY	SIZE	QTY
10MM	20	22MM	20	35MM	20
13MM	20	24MM	20	40MM	20
14MM	20	25MM	20	42MM	10
15MM	20	26MM	20	45MM	10
16MM	20	28MM	20	47MM	10
19MM	20	30MM	20	52MM	10
20MM	20	32MM	20		

### GENERAL INFORMATION

Circlips are used in various applications in different industries like automotive, industrial and general retaining. These are available in various dimensional specifications and can be tailor made as per the demands of the clients. These are highly demanded in domestic and international markets for their varied features like optimum quality, high performance, long service life, efficiency and utility.



## EXTERNAL CIRCLIPS



EA-CIRCLIP EXT KIT

SIZE	QTY	SIZE	QTY	SIZE	QTY
6MM	20	15MM	20	35MM	20
7MM	20	17MM	20	38MM	20
8MM	20	19MM	20	40MM	10
9MM	20	20MM	20	42MM	10
10MM	20	25MM	20	45MM	10
12MM	20	30MM	20	50MM	10
13MM	20	32MM	20		



### GENERAL INFORMATION

We have a great range of cir clips for more information please contact your nearest Eureka Distributor.

## CLEVIS HITCH PINS

EA-CLEVIS HITCH PIN KIT



SIZE	QTY	SIZE	QTY
5/16 x 2"	5	3/8 "x 2"	15
7/16 x 2-1/2"	5	1/2 x 2"	3

### GENERAL INFORMATION

Clevises are used in a wide variety of fasteners used in farming equipment and sailboat rigging, as well as the automotive, aircraft and construction industries. They are also widely used to attach control surfaces and other accessories to servo controls in airworthy model aircraft. As a part of a fastener, a clevis provides a method of allowing rotation in some axes



## COPPER WASHERS

EA-COPPER WASHER KIT



SIZE	QTY	SIZE	QTY
5x10x1 MM	10	12.5x20x1.5 MM	10
6x10x1 MM	10	14x18x1 MM	10
7x10x1 MM	10	14x20x1.5 MM	10
8x12x1 MM	10	15x20x2 MM	10
10x16x1 MM	10	16x22x2 MM	10
10.5x17x1.5 MM	10	16.5x24x2 MM	10
11x17x1.5 MM	10	17.5x24x2 MM	10
12x20x1.5 MM	10		

### GENERAL INFORMATION

Copper washers are intended to accommodate different sizes of bolts, and for fixtures that require a seal. Copper washers are able to perform varied tasks especially in industries such as Equipment Insulation, Construction, and Medical. Copper Washers are made from strong and versatile copper that has a very good compression and sealing capabilities.



## DRIVER BIT INSERTS

EA-DRIVER BITS KIT

INSERT	QTY	INSERT	QTY
PZ1	6	P1/4	6
PZ2	6	H5/64	6
PZ3	6	H5/32	6
PH0	6	H1/8	6
PH1	6	H1/4	6
PH2	6	T10	6
P1/8	6	T20	6
P3/16	6	T25	6
P5/32	6	T30	6
EXTENTION	6		



### GENERAL INFORMATION

Drill driver inserts are grate for the handy person who needs to change between different fasteners. This kit has many different inserts. Flat, Philips, Pozi, Allan and Torx drive also in different sizes. The drill attachment offers quick ease to change between the assorted inserts.



## E CLIPS

EA-E CLIP KIT

SIZE	QTY	SIZE	QTY
1.5 MM	30	12 MM	40
3 MM	30	15 MM	20
5 MM	40	19 MM	20
6 MM	50	22 MM	20
10 MM	50		



### GENERAL INFORMATION

E type Circlips are made to fit onto shafts that may or may not be precision manufactured, or you require a less expensive type of retainer. The E type circlip does not require a special pair of pliers to fit it. Used mainly for locating or retaining components from sideways movement.



## EYE BOLTS TO SUIT METAL



EA-EYE BOLT METAL KIT

NUT	QTY	WASHER	QTY	EYE	QTY
1/8"	30	1/8"	30	1/8" x 50mm	30
3/16"	20	3/16"	20	3/16"x50mm	20
1/4"	20	1/4"	20	1/4"x75mm	20

### GENERAL INFORMATION

Eye bolts are used primarily as anchor points for rigging with cables, chains, and ropes. In addition to rigging, there are countless uses for eye bolts around the garage, home, and farm. designed to be used for straight vertical lifts only: lifting at angles greatly reduces the fastener's work load. Standard eye bolts are used for light duty lifting only. Screw eyes are commonly used to attach cables to objects, for instance attaching a string to the back of a painting to allow the painting to hang from a nail on a wall.



## EYE BOLT & HOOK TO SUIT WOOD



EA-EYE BOLT WOOD KIT

OPEN	QTY	CLOSED	QTY
1.1/8"	60	1.5/8"	50
1.15/16"	12	2.1/2"	12
1.13/16"	12	3.3/8"	5



## RUBBER GROMMETS



### GENERAL INFORMATION

The installation of grommets can eliminate sharp edges to protect wires, cables, or hoses from damage when passing through a hole with rough edges can cause abrasion and failure. The rubber grommet can shield the wire or other material from any damage. The rubber grommet also adds a neat, clean look to any professional wire or cable installation.

EA-GROMMET KIT

OPEN	QTY	CLOSED	QTY
1/8x1/4"	15	9/35"	20
7/32x5/16"	10	3/8"	20
9/32x1/2"	7	1/2"	10
5/16x9/16"	3	5/8"	5
3/8x15/32"	6	3/4"	4
3/8x1/2"	5	7/8"	3
3/8x13/16"	3	1"	2
7/16x3/4"	4		
1/2x19/32"	3		
5/8x31/32"	3		
3/4x15/16"	2		

## HEAT SHRINK TUBE



### GENERAL INFORMATION

Heat shrink tubing is a shrinkable plastic tube used to insulate wires, providing abrasion resistance and environmental protection for stranded and solid wire conductors, connections, joints and terminals in electrical engineering. It can also be used to repair the insulation on wires or to bundle them together, to protect wires or small parts from minor abrasion, and to create cable entry seals, offering environmental sealing protection. Heat shrink tubing is ordinarily made of nylon or polyolefin, which shrinks in one plane only (its diameter) when heated, to between one-half and one-sixth of its diameter.

EA-CLEVIS HITCH PIN KIT

SIZE	QTY	SIZE	QTY
2 x 40 MM	30	7 x 80 MM	16
2.5 x 40 MM	25	10 x 80 MM	8
3.5 x 40 MM	20	13 x 85 MM	8
5 x 40 MM	20		

## EUROPEAN FUSE



### GENERAL INFORMATION

Automotive fuses are a class of fuses used to protect the wiring and electrical equipment for vehicles. They are generally rated for circuits no higher than 24 volts direct current, but some types are rated for 42-volt electrical systems. They are occasionally used in non-automotive electrical products. Never replace a fuse with a higher amperage rating and in most cases with a lower voltage rating.

### EA-EUROPEAN FUSE KIT

SIZE	QTY	SIZE	QTY
6 Amp	20	20 Amp	20
8 Amp	20	25 Amp	20
16 Amp	20	30 Amp	20



## GLASS FUSE



### EA-GLASS FUSE KIT

SIZE	QTY	SIZE	QTY
5 Amp	20	20 Amp	20
10 Amp	20	25 Amp	20
15 Amp	20	30 Amp	20



## LARGE BLADE FUSE

EA-LARGE FUSE KIT



SIZE	QTY	SIZE	QTY
5 AMP	20	20 AMP	20
10 AMP	20	25 AMP	20
15 AMP	20	30AMP	20

### GENERAL INFORMATION

Automotive fuses are a class of fuses used to protect the wiring and electrical equipment for vehicles. They are generally rated for circuits no higher than 24 volts direct current, but some types are rated for 42-volt electrical systems. They are occasionally used in non-automotive electrical products



## SMALL BLADE FUSE

EA-MINI FUSE KIT



SIZE	QTY	SIZE	QTY
5 AMP	20	20 AMP	20
10 AMP	20	25 AMP	20
15 AMP	20	30AMP	20





## METRIC GREASE NIPPLES

EA-GREASE NIPPLE MET KIT



SIZE	QTY	SIZE	QTY
M6 x 1	60	M8 x 1.25 90°	5
M6 x 1 45°	5	M10 x 1.5	10
M6 x 1 90°	5	M10 x 1.5 45°	5
M8 x 1.25	10	M10 X1.5 90°	5
M8 x 1.25 45°	5		

### GENERAL INFORMATION



Grease nipples fittings are permanently installed by a threaded connection, leaving a nipple connection that a grease gun attaches to. The pressure supplied by the grease gun forces a small captive bearing ball in the fitting to move back against the force of its retaining spring. The arrangement is thus essentially a valve that opens under pressure to allow lubricant to pass through a channel and be forced into the voids of the bearing. When the pressure ceases, the ball returns to its closed position.

## IMPERIAL GREASE NIPPLES

EA-AIR LINE IMPERIAL KIT



SIZE	QTY	SIZE	QTY
1/8-27 NPT	20	1/4-28 BSP	30
1/8-27 NPT 45°	15	1/4-28 BSP 45°	15
1/8-27 NPT 90°	15	1/4-28 BSP 90°	15



## METRIC GRUB SCREWS



EA-GRUBSCREW MET KIT

SIZE	QTY	SIZE	QTY
M3x0.5x 5	50	M8x1.25x10	40
M4x0.7x5	50	M8x1.25x12	40
M5x0.8x6	50	M8x1x10	40
M6x1x6	40	M10x1.5x10	20
M6x1x10	40	M10x1.5x12	20
M6x0.7x6	40	M10x1.25x10	20

### GENERAL INFORMATION

Grub screws are generally used to secure an object within or against another object. The most common examples are securing a pulley or gear to a shaft. The set screw passes through a threaded hole in the outer object and is tightened against the inner object to prevent it from moving relative to the outer object. It exerts compressional or clamping force through the bottom tip that projects through the hole.



## IMPERIAL GRUB SCREWS



EA-GRUBSCREW IMP KIT

SIZE	QTY	SIZE	QTY
5/32 -32x3/16"	50	3/8-24x3/8"	20
5/16-18x3/8"	40	3/16-24x1/4"	50
5/16-18x1/2"	40	1/8-40x3/16"	50
5/16-24x3/8"	40	1/4-20x1/4"	40
3/8-16x3/8"	20	1/4-20x3/8"	40
3/8-16x1/2"	20	1/4-28x1/4"	40



## BEARING GRUB SCREWS



EA-GRUB SCREW TO SUIT BEARING KIT

KNURLED END	QTY	BALL END	QTY
M6x1	50	M6x1	50
M8x1	30	M8x1	30
M10x1.25	30	M10x1.25	30
M12x1.5	20	M12x1.5	20



## HOSE CLAMPS



EA-HOSE CLAMP KIT

SIZE	QTY	SIZE	QTY
16MM	8	28MM	2
22MM	6	35MM	2
25MM	4	40MM	4



### GENERAL INFORMATION

Hose clamps are frequently used for things other than their intended use, and are often used as a more permanent version of duct tape wherever a tightening band around something would be useful. The screw band type in particular is very strong, and is used for non-plumbing purposes far more than the other types. These clamps can be found doing everything from mounting signs to holding together emergency home repairs.

## HOME HARDWARE

EA- HOME HARDWARE KIT



PART	QTY	PART	QTY
PUSH PIN	10	PICTURE HOOK	4
18g NAIL	153	WALL PLUG RED	15
17g NAIL	153	WALL PLUG YELLOW	16
BRAD NAIL	152	THUMB TACK	50
1" SHEET SCREW	16	1.1/2" HOOK	4
1-1/4" SHEET SCREW	15	1.1/4 HOOK	4

### GENERAL INFORMATION

Home hardware kit is for the D.I.Y person to have handy for the minor fixes around the house. For when the general store is closed you have the store in a draw ready to go. It has many types of fixings and hanging implements, for hanging pictures, ornaments and even making a temporary clothes line this kit is capable.



## LOCK NUT & TAB WASHERS

EA- KM-MB NUT AND WASHER KIT



NUT	QTY	WASHER	QTY
KM00(M10x0.75)	6	MB00(10.5Ø)	12
KM01(M12x1)	6	MB01(12.2Ø)	12
KM02(M15x1)	6	MB02(15.5Ø)	12
KM03(M17x1)	6	MB03(17.2Ø)	12
KM04(M20x1)	6	MB04(20.4Ø)	12
KM05(M25x1.5)	6	MB05(25.6Ø)	12
KM06(M30x1.5)	5	MB06(30.4Ø)	10
KM07(M35x1.5)	4	MB07(35.5Ø)	8

### GENERAL INFORMATION

Lock nuts and Tab washers are designed specifically for applications where a specific item needs to be fastened and permanently fixed in a position but can also be removed for maintenance. The washer is normally used on shaft that has a keyway to stop the washer from spinning, the tabs on the washer are bent into the slots on the lock nut to retain the nut in a fixed position.





## METRIC KEY STEEL



EA-KEY METRIC KIT

SIZE □	QTY	SIZE □	QTY
3 x 20MM	4	6 x 40MM	5
3 x 25MM	4	8 x 30MM	5
5 x 20MM	5	8 x 40MM	5
5 x 25MM	5	10 x 30MM	5
5 x 30MM	5	10 x 40MM	5
6 x 20MM	5	12 x 40MM	2
6 x 30MM	5		

### GENERAL INFORMATION

Key steel is produced from specially processed bars of the type usually used to make machine keys. Key steel is a very versatile product that can be used in factory machine shops, maintenance departments and precision engineering. It can be used practically and in keyed assembly.



## IMPERIAL KEY STEEL



EA-KEY IMPERIAL KIT

SIZE □	QTY	SIZE □	QTY
1/8 x 3/4"	4	1/4 x 1.1/2"	5
1/8 x 1"	4	5/16 x 1.1/4"	5
3/16 x 3/4"	5	5/16 x 1.1/2"	5
3/16 x 1"	5	3/8 x 1.1/4"	5
3/16 x 1.1/4"	5	3/8 x 1.1/2"	5
1/4 x 3/4"	5	1/2 x 1.1/2"	2
1/4 x 1.1/4"	5		



### GENERAL INFORMATION

We have a great range of key steel for more information please contact your nearest Eureka Distributor.

## LUBRICATION



### GENERAL INFORMATION

We have a great range of lubrication products for more information please contact your nearest Eureka Distributor.

## LYNCH PINS

### EA-LYNCH PIN KIT



SIZE	QTY	SIZE	QTY
3/16 x 1.7/16"	16	5/16 x 1.3/4"	6
1/4 x 1-3/4"	18	7/16 X 1.3/4"	10

### GENERAL INFORMATION

Lock nuts and Tab washers are designed specifically for applications where a specific item needs to be fastened and permanently fixed in a position but can also be removed for maintenance. The washer is normally used on shaft that has a keyway to stop the washer from spinning, the tabs on the washer are bent into the slots on the lock nut to retain the nut in a fixed position.





## METRIC MINITURE BEARINGS



EA-MINI METRIC BEARING KIT

SIZE	QTY	SIZE	QTY
MR52 ZZ	10	MR106 ZZ	10
MR63 ZZ	10	MR115 ZZ	10
MR84 ZZ	10	MR126 ZZ	10
MR85 ZZ	10	MR128 ZZ	10
MR104 ZZ	10	MR148 ZZ	10
MR105 ZZ	10	688 ZZ	10

### GENERAL INFORMATION

Miniature bearings are single row ball bearings available from 1 mm to 10-mm bore sizes. The construction of these bearings enable them to carry moderate radial and thrust loads at low operating torque and provide high performance. The metric series ball bearings are available in stainless steel and chrome steel and come in open sealed and shielded configurations.



## IMPERIAL MINITURE BEARINGS

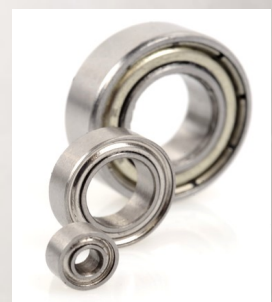


EA-MINI INMERIAL BEARING KIT

SIZE	QTY	SIZE	QTY
R166 ZZ	10	R4A ZZ	10
R188 ZZ	10	R6 ZZ	10
R3 ZZ	10	R8 ZZ	10
R4 ZZ	10	R10 ZZ	10

### GENERAL INFORMATION

We have a great range of bearings for more information please contact your nearest Eureka Distributor.



## METRIC NUT & BOLT



EA- NUT AND BOLT METRIC KIT

NUT	QTY	WASHER	QTY	BOLT	QTY
M3	25	M3	25	M3x16	20
M4	50	M4	50	M4x16	20
M5	50	M5	50	M4x25	20
M6	25	M6	25	M5x20	20
				M5x25	20
				M6x20	20

### GENERAL INFORMATION

Nuts, Bolts and washers are the fastener of choice when it comes to assembling parts together. The fasteners supplied are grade for general use in most industrial and commercial applications. Supplied with extra nuts they can be doubled up to be used as a lock nut when tightened against each other.



## IMPERIAL NUT & BOLT



EA-NUT AND BOLT IMPERIAL KIT

NUT	QTY	WASHER	QTY	BOLT	QTY
N° 6	25	N° 6	25	N° 6x5/8	20
1/4	25	1/4	25	1/4x3/4	20
N° 8	25	N° 8	25	N° 8x5/8	20
N° 10	50	N° 10	50	N° 8x1	20
				N° 10x3/4	20
				N° 10x1	20





## METRIC O-RINGS

EA-O-RING METRIC KIT



SIZE	QTY	SIZE	QTY	SIZE	QTY
3 x 2	16	14 x 2.5	13	28 x 3	12
4 x 2	16	16 x 2.5	13	30 x 3	12
5 x 2	16	17 x 2.5	13	32 x 3	12
6 x 2	16	19 x 2.5	13	33 x 3	12
7 x 2	16	19 x 3	12	35 x 3	12
8 x 2	16	20 x 3	12	36 x 3	12
10 x 2	16	22 x 3	12	38 x 3	12
10 x 2.5	13	24 x 3	12	38 x 4	9
11 x 2.5	13	25 x 3	12	41 x 4	9
12 x 2.5	13	27 x 3	12	44 x 4	9

### GENERAL INFORMATION

O-Rings are manufactured in metric and imperial sizes and come in a variety of designs. A number of various size specifications exist and care must be taken to ensure you are purchasing the correct size specification. The reason that O-rings are commonly used in machine design is that they are inexpensive, easy to manufacture, reliable and have simple mounting requirements in both static and dynamic mounting applications.

## IMPERIAL O-RINGS

EA-O-RING IMPERIAL KIT



SIZE	QTY	SIZE	QTY	SIZE	QTY
1/8 x 1/16"	20	9/16 x 2/32"	13	1-1/8 x 1/8"	10
5/32 x 1/16"	20	5/8 x 2/32"	13	1-3/16 x 1/8"	10
3/16 x 1/16"	20	11/16 x 2/32"	13	1-1/4 x 1/8"	10
7/32 x 1/16"	20	3/4 x 2/32"	13	1-5/16 x 1/8"	10
1/4 x 1/16"	20	3/4 x 1/8"	10	1-3/8 x 1/8"	10
5/16 x 1/16"	20	13/16 x 1/8"	10	1-7/16 x 1/8"	10
3/8 x 1/16"	20	7/8 x 1/8"	10	1-1/2 x 1/8"	10
3/8 x 2/32"	13	15/16 x 1/8"	10	1-1/2 x 3/16"	7
7/16 x 2/32"	13	1 x 1/8"	10	1-5/8 x 3/16"	7
1/2 x 2/32"	13	1-1/16 x 1/8"	10	1-3/4 x 3/16"	7

## METRIC VITON O-RINGS

EA-O-RING METRIC VITON KIT



SIZE	QTY	SIZE	QTY	SIZE	QTY
3 x 2	16	14 x 2.5	13	28 x 3	12
4 x 2	16	16 x 2.5	13	30 x 3	12
5 x 2	16	17 x 2.5	13	32 x 3	12
6 x 2	16	19 x 2.5	13	33 x 3	12
7 x 2	16	19 x 3	12	35 x 3	12
8 x 2	16	20 x 3	12	36 x 3	12
10 x 2	16	22 x 3	12	38 x 3	12
10 x 2.5	13	24 x 3	12	38 x 4	9
11 x 2.5	13	25 x 3	12	41 x 4	9
12 x 2.5	13	27 x 3	12	44 x 4	9

### GENERAL INFORMATION



**Viton** is known for its chemical resistance and for use in oxygen-rich environments. Viton is less susceptible than rubber to decay when used in an environment of high oxygen (O<sub>2</sub>) concentration. It also has a lower probability of ignition. For these reasons Viton is regarded as **oxygen compatible** and preferred for use in Nitrox, Trimix and other high-concentration oxygen applications.

## IMPERIAL VITON O-RINGS

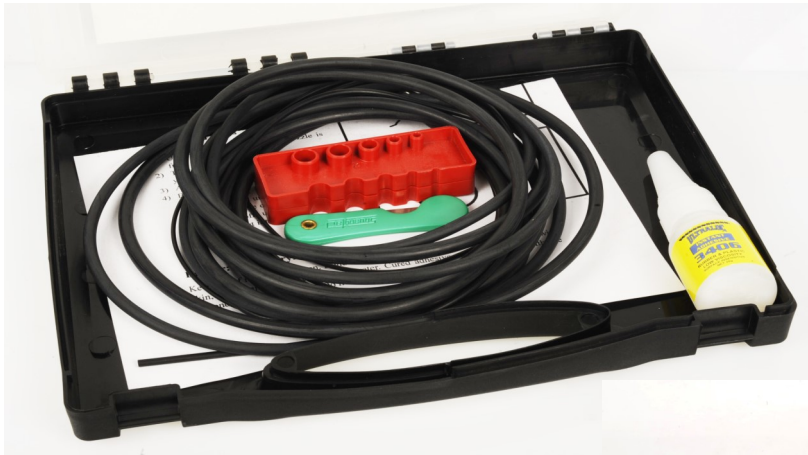
EA-O-RING IMPERIAL VITON KIT



SIZE	QTY	SIZE	QTY	SIZE	QTY
1/8 x 1/16"	20	9/16 x 2/32"	13	1-1/8 x 1/8"	10
5/32 x 1/16"	20	5/8 x 2/32"	13	1-3/16 x 1/8"	10
3/16 x 1/16"	20	11/16 x 2/32"	13	1-1/4 x 1/8"	10
7/32 x 1/16"	20	3/4 x 2/32"	13	1-5/16 x 1/8"	10
1/4 x 1/16"	20	3/4 x 1/8"	10	1-3/8 x 1/8"	10
5/16 x 1/16"	20	13/16 x 1/8"	10	1-7/16 x 1/8"	10
3/8 x 1/16"	20	7/8 x 1/8"	10	1-1/2 x 1/8"	10
3/8 x 2/32"	13	15/16 x 1/8"	10	1-1/2 x 3/16"	7
7/16 x 2/32"	13	1 x 1/8"	10	1-5/8 x 3/16"	7
1/2 x 2/32"	13	1-1/16 x 1/8"	10	1-3/4 x 3/16"	7



## O-RING SPLICING



EA-O-RING SPLICING KIT

CORD	QTY
6MM x 2M	1
5MM x 2M	1
3MM x 1M	1
2MM x 1M	1
RUBBER GLUE (3406)	1
CUTTING TOOL	1
SPLYCING TOOL	1



### GENERAL INFORMATION

O-Rings are manufactured in metric and imperial sizes and come in a variety of designs. A number of various size specifications exist and care must be taken to ensure you are purchasing the correct size specification. The reason that O-rings are commonly used in machine design is that they are inexpensive, easy to manufacture, reliable and have simple mounting requirements in both static and dynamic mounting applications.

## R CLIPS

EA- R CLIP KIT

SIZE	QTY	SIZE	QTY
5/64 x 1.5/16"	30	7/64 x 1.5/8"	25
5/64 x 1.9/16"	25	9/64 x 1.3/4"	25
3/32 x 1.3/16"	42	5/32 x 2.15/16"	8



### GENERAL INFORMATION

The "R" clip is a grate retainer for retaining parts that are frequently removed. R clips are commonly used with clevis pins, where the pin has a specific diameter so the ridge on the pin locks on the diameter of the pin. The bigger end is made bigger for ease of removal.





## METRIC ROLL PINS

EA-ROLL PIN KIT



SIZE	QTY	SIZE	QTY	SIZE	QTY
1.5 x 5	10	3 x 25	15	5.5 x 45	10
1.5 x 8	10	3 x 30	15	6 x 16	10
1.5 x 20	10	4 x 16	10	6 x 30	10
2 x 6	10	4 x 25	10	6 x 45	10
2 x 12	10	4 x 40	10	8 x 20	10
2 x 25	10	5 x 16	15	8 x 40	10
2.5 x 16	10	5 x 25	15	8 x 50	10
2.5 x 25	10	5 x 30	15	10 x 20	5
2.5 x 30	10	5.5 x 16	10	10 x 30	5
3 x 16	15	5.5 x 30	10	10 x 40	5

### GENERAL INFORMATION

Roll Pins also known as Tension Pins or Spring Pins are used for mechanically mating parts together. Accurately machined to tight tolerances in their diameter and hollow they are designed with a slot extending the length of the pin down one side. Roll Pins are used in the arm of the fastening can pivot in relation to the body.

## RECOILS



### GENERAL INFORMATION

The recoil has been designed to permanently repair a damaged thread back to the original size. These kits come in many diameters, pitches and lengths. The applications of use are endless. Please contact your nearest Eureka Distributor for more information on this product.

## FEMALE METRIC ROD ENDS

EA- ROD END FEMALE METRIC KIT



LEFT HAND	QTY	RIGHT HAND	QTY
4 MM	4	4 MM	4
5 MM	4	5 MM	4
6 MM	4	6 MM	4
8 MM	4	8 MM	4
10 MM	4	10 MM	4
12 MM	2	12 MM	2

### GENERAL INFORMATION

Rod ends are used on the ends of cylinders, linkages, rods, and shafts to take up angular misalignment between connected parts. They consist of a spherically-shaped inner ring and a cylindrical bore for shaft mounting.

## FEMALE IMPERIAL ROD ENDS

EA-ROD END FEMALE INCH KIT



LEFT HAND	QTY	RIGHT HAND	QTY
3/16"	4	3/16"	4
1/4"	4	1/4"	4
5/16"	4	5/16"	4
3/8"	4	3/8"	4
7/16"	4	7/16"	4
1/2"	2	1/2"	2



### GENERAL INFORMATION

We have a great range of rod ends for more information please contact your nearest Eureka Distributor.

## MALE METRIC ROD ENDS

EA- ROD END MALE METRIC KIT

LEFT HAND	QTY	RIGHT HAND	QTY
4 MM	4	4 MM	4
5 MM	4	5 MM	4
6 MM	4	6 MM	4
8 MM	4	8 MM	4
10 MM	4	10 MM	4
12 MM	2	12 MM	2



### GENERAL INFORMATION

Rod ends are used in applications that accommodate low to moderate shaft misalignment. They are also used in many aerospace, military, and automotive applications. In the automotive industry, rod end bearings are used in steering knuckles and transmission linkages.

## MALE IMPERIAL ROD ENDS

EA-ROD END MALE INCH KIT

LEFT HAND	QTY	RIGHT HAND	QTY
3/16"	4	3/16"	4
1/4"	4	1/4"	4
5/16"	4	5/16"	4
3/8"	4	3/8"	4
7/16"	4	7/16"	4
1/2"	2	1/2"	2





## POP RIVETS



EA-RIVET KIT

SIZE	QTY	SIZE	QTY
1/8 x 1/4"	125	1/8 x 3/8"	125
1/8 x 5/16"	125	1/8 x 5/8"	125



### GENERAL INFORMATION

The rivet assembly is inserted into a hole drilled through the parts to be joined and a specially designed tool is used to draw the mandrel into the rivet. This expands the blind end of the rivet and then the mandrel snaps off. These types of blind rivets have non-locking mandrels and are sometimes avoided for critical structural joints because the mandrels may fall out, due to vibration or other reasons, leaving a hollow rivet that has a lower load-carrying capability than solid rivets

## SELF TAPPING SCREWS

EA-HEX HEAD SCREW KIT

1/4 HEX	QTY	5/16 HEX	QTY
4 x 12.5 MM	30	5 x 12.5 MM	20
4 x 16 MM	30	5 x 16 MM	20
4 x 19 MM	30	5 x 19 MM	20
4 x 25.5 MM	30	5 x 25.5 MM	20



### GENERAL INFORMATION

Self Tapping Screws are designed to advance when turned, creating their own threads in the material. They are often used in sheet metal and plastic. Hex head fasteners can be driven with simple wrenches, and require minimal clearance above the fastener because they can be driven or loosened from the side.



## METRIC STEEL BALL



EA-STEEL BALL METRIC KIT

SIZE	QTY	SIZE	QTY
5 MM	100	12 MM	40
6 MM	100	15 MM	10
7 MM	100	16 MM	10
8 MM	100	18 MM	10
9 MM	50	20 MM	10
10 MM	50	25 MM	10
11 MM	50		

### GENERAL INFORMATION

Steel balls have many purposes they are good for sealing of viscous fluids such as oil, their main purpose as a bearing surface and also can be used as an accurate measurement for weight. The steel ball is made from bearing steel which is a very strong material after treated.



## IMPERIAL STEEL BALL



EA-STEEL BALL IMPERIAL KIT

SIZE	QTY	SIZE	QTY
1/8"	200	1/2"	20
5/32"	100	9/16"	10
3/16"	100	5/8"	10
7/32"	100	21/32"	10
1/4"	100	11/16"	10
9/32"	50	3/4"	10
5/16"	50	7/8"	10
3/8"	50	1"	10
7/16"	20		

### GENERAL INFORMATION

We have a great range of steel balls for more information please contact your nearest Eureka Distributor.



## SEMI PRECISION BEARINGS



EA-SEMI PRECISION BEARING KIT

SIZE	QTY	SIZE	QTY
5/16 x 1-1/8"	4	5/8 x 1-3/8"	8
3/8 x 1-1/8"	4	3/4 x 1-3/8 "	8
7/16 x 1-1/8"	8	5/8 x 1-3/4"	4
1/2 x 1-1/8"	8	3/4 x 1-3/4"	2
3/8 x 1-3/8"	4	3/4 x 2"	2
1/2 x 1-3/8"	4	1 x 2"	2
		20 x 35 MM	2

### GENERAL INFORMATION

Semi precision bearings are manufactured for the specific purpose of having very large clearances to survive in rough environments where a precision bearing would fail. Applications such as wheelbarrows, lifting trolleys and lawn mowers the wheel bearings aren't traveling at high speed the semi precision bearing works perfectly.



## SEALING WASHERS



EA-SEALING WASHERS KIT

RUBBER	QTY	FIBER	QTY
4x16x4 MM	10	10x13.5x2 MM	10
4x17x4 MM	10	12x17.5x1.5 MM	10
8x14x4 MM	5	12x17.5x2 MM	10
8x18x4 MM	5	17x21x1.5 MM	10
9.5x17.5x4 MM	5	17x24x1.5 MM	10
10x14x4 MM	5	17x24x2 MM	10
12x24x2 MM	10	20.5x25x1.5 MM	10
15x24x3 MM	10	27x33x1.5 MM	5
		27x38x2 MM	3
		30x39x2 MM	3

### GENERAL INFORMATION

Sealing washers unlike copper washers are made for repetitive use. These washers can be used with many types of liquids and greases. These washers have good insulation properties, and are non conductive.



## METRIC SHAFT COLLARS

EA-SHAFT COLLAR METRIC KIT

SIZE	QTY	SIZE	QTY
6MM	4	20 MM	4
8 MM	4	22 MM	4
10 MM	4	24 MM	4
12 MM	4	25 MM	4
14 MM	4	28 MM	4
16 MM	4	30 MM	4



### GENERAL INFORMATION

A shaft collar is a mechanical fastener that goes around a shaft or rod with a screw or clamp to fix it in position. These devices are used for a number of functions, ranging from spacing elements on a flag pole to acting as stops in a drive train.



## IMPERIAL SHAFT COLLARS

EA-SHAFT COLLAR IMPERIAL KIT

SIZE	QTY	SIZE	QTY
1/4"	4	5/8"	4
5/16"	4	3/4"	8
3/8"	4	7/8"	4
7/16"	4	1"	8
1/2"	4	1-1/8"	4



### GENERAL INFORMATION

We have a great range of shaft locking products for more information please contact your nearest Eureka Distributor.



## SPLIT PINS



EA-SPLITPIN/ COTTER PIN KIT

SIZE	QTY	SIZE	QTY
1/16 x 1"	4	1/8 x 1-1/4"	8
3/32 x 1"	4	1/8 x 2"	8
3/32 x 1-1/2"	8	5/32 x 2-1/2"	4



### GENERAL INFORMATION

Split pins are frequently used to secure other fasteners, e.g. clevis pins, as well as being used in combination with hardboard discs as a traditional joining technique for teddy bears. A common application of this is when used to secure a castellated nut. Split pins are also very common as they are easy to use and effective. Often they are found on self-assembly trolleys, light wheel barrows, lawn mowers and similar items. They are usually made from 'soft' steel or aluminium and they come in a range of sizes.

## LARGE SPLIT PINS



EA-SPLIT PIN LARGE KIT

SIZE	QTY	SIZE	QTY
1/8 x 2"	50	1/4 x 2"	20
5/32 x 2-1/2"	30	1/4 x 3"	16
3/16 x 3"	20	5/16 x 2-1/2"	8





## SPRINGS



EA-SPRING KIT

COMPRESSION	QTY	TENSION	QTY
5.5 x 38 MM	10	4 x 79.5 MM	12
5.5 x 17 MM	10	4.5 x 44.5 MM	8
6.5 x 10 MM	10	5 x 20.5 MM	10
7 x 12.5 MM	10	5.5 x 25.5 MM	10
7 x 19 MM	10	6.5 x 22 MM	10
8.5 x 19 MM	12	7 x 38 MM	10
9 x 35 MM	8	7 x 51 MM	12
9.5 x 16 MM	6	8 x 28.5 MM	8
		8 x 31.5 MM	10
		8 x 44.5 MM	12
		8.5 x 47 MM	12
		8.5 x 36.5 MM	10

### GENERAL INFORMATION

A coil spring, also known as a helical spring, is a mechanical device, which is typically used to store energy due to resilience and subsequently release it, to absorb shock, or to maintain a force between contacting surfaces. They are made of an elastic material formed into the shape of a helix which returns to its natural length when unloaded.

## U TYPE SPEED NUTS



EA-SPEED NUT KIT

SCREW	QTY	U NUT	QTY
N°6	40	N°6	40
N°8	20	N°8	20
N°10	15	N°10	15
1/4"	10	1/4"	10

### GENERAL INFORMATION

The fastener serves the functions of both a lock washer and a nut. As the fastener is tightened in the nut the prongs are drawn inward until they exert pressure on the root of the thread on the fastener. When the fastener is tightened, the base of the nut, which is arched, elastically deforms and applies a force to the fastener, which locks it from loosening under vibrations.



## METRIC SQ BALL JOINTS

EA-ROD END SQ METRIC KIT



LEFT HAND	QTY	RIGHT HAND	QTY
5 MM	2	5 MM	2
6 MM	2	6 MM	2
8 MM	2	8 MM	2
10 MM	2	10 MM	2
12 MM	2	12 MM	2
14 MM	1	14 MM	1



### GENERAL INFORMATION

These joints are used on the ends of control rods, steering links, tie rods, or anywhere a precision articulating joint is required. Rod end bearing is widely used for engineering hydraulic oil cylinder, Forging machine tools, engineering machinery, automation equipment, car shock absorber, hydraulic machinery and other industries. Self lubricating joints and auxiliary promise used in water conservancy, professional machinery and other industries .

## IMPERIAL SQ BALL JOINTS

EA-ROD END SQ IMPERIAL KIT



LEFT HAND	QTY	RIGHT HAND	QTY
3/16"	2	3/16"	2
1/4"	2	1/4"	2
5/16"	2	5/16"	2
3/8"	2	3/8"	2
7/16"	2	7/16"	2
1/2"	1	1/2"	1



### GENERAL INFORMATION

We have a great range of rod ends for more information please contact your nearest Eureka Distributor.

## METRIC TEFLON BUSHES



EA-BUSH DU METRIC KIT

SIZE	QTY	SIZE	QTY
5 x 10 MM	10	18 x 20 MM	6
6 x 10 MM	10	20 x 25 MM	4
8 x 15 MM	10	22 x 25 MM	4
10 x 15 MM	10	24 x 25 MM	4
12 x 20 MM	10	25 x 25 MM	2
13 x 20 MM	10	28 x 25 MM	2
14 x 20 MM	10	30 x 25 MM	2
16 x 20 MM	10	32 x 25 MM	2
17 x 20 MM	6		

### GENERAL INFORMATION

Teflon bushing is widely used in lifting equipment, Hydraulics and valves, pneumatic equipment, medical equipment, textile machinery, agricultural equipment, construction equipment, material handling equipment, packaging equipment, automotive field, scientific equipment, drying ovens, office equipment, etc. Good wear and friction performance over a wide range of loads, speeds and temperature without oil. Also perform well with lubrication maintenance-free, long life.

## IMPERIAL TEFLON BUSHES



EA-BUSH DU IMPERIAL KIT

SIZE	QTY	SIZE	QTY
1/8 x 3/16"	10	11/16 x 7/8"	8
3/16 x 3/8"	10	3/4 x 3/4"	8
1/4 x 1/2"	10	7/8 x 1"	4
5/16 x 1/2	10	1 x 1"	2
3/8 x 5/8	10	1-1/8 x 1"	2
7/16 x 3/4 "	10	1-1/4 x 1"	2
1/2 x 3/4"	10	1-3/8 x 1"	2
9/16 x 3/4"	10	1-1/2 x 1-1/2"	2
5/8 x 3/4"	10		

### GENERAL INFORMATION

We have a great range of Teflon bushes for more information please contact your nearest Eureka Distributor.



## WASHERS



EA-WASHER KIT

FLAT	QTY	SPRING	QTY
3 MM	50	3 MM	50
4 MM	40	4 MM	40
5 MM	30	5 MM	30
6 MM	25	6 MM	25
8 MM	15	8 MM	15
10 MM	15	10 MM	15

### GENERAL INFORMATION

Split lock washers provide greater bolt tensioning for tighter assemblies and provide protection against loosening resulting from vibration. Lock washers can be used with a standard washer to provide uniform bearing surface. These washers are intended for general use.



## WING NUTS



EA-WING NUT KIT

FINE	QTY	CORSE	QTY
5 MM	30	5 MM	30
6 MM	25	6 MM	25
8 MM	20	8 MM	20

### GENERAL INFORMATION

Wing nuts, a nut with a pair of wings to enable it to be turned without tools, used where frequent adjustments are needed or part removal can be made quickly at some later stage



## WIRE TERMINALS



### GENERAL INFORMATION

Wire terminals fulfil numerous uses, including allowing the wires to be easily terminated to screw terminals, fast-on - quick-disconnect - spade-foot type terminals, wire splices, various combinations of these. Crimp-on terminals are attached by inserting the stripped end of a stranded wire into a portion of the terminal, which is then mechanically deformed - compressed (crimped) tightly around the wire. The crimping is accomplished with special crimping pliers.

### EA-WIRE TERMINAL KIT

PART	QTY	PART	QTY
BULLET MALE	25	RING 2-5 12-10Ga	20
BULLET FEMALE	10	RING 1/4" 12-10Ga	15
BUTT L 22-18Ga	10	RING 3/8" 12-10Ga	15
BUTT S 22-18Ga	30	SPADE 2-5	30
BUTT S16-14Ga	30	SPADE 5.5-5	20
BUTT S12-10Ga	15	FLAT MALE 16-14Ga	25
RING 2-5	30	FLAT MALE 22-18Ga	10
RING 1/4" 16-14Ga	20	FEMALE 16-14Ga	25
RING 3/8" 16-14Ga	20	FEMALE 22-18Ga	10

## WOODRUFF KEYS



### EA-WOODRUFF KEY KIT

SIZE	QTY	SIZE	QTY
3x5x13MM	10	4x7.5x19MM	10
3x6.5x16MM	10	5x7.5x19MM	10
4x5x13MM	10	5x9x22MM	10
4x6.5x16MM	10	6x9x22MM	10



### GENERAL INFORMATION

Woodruff key is a machine element used to connect a rotating machine element to a shaft. The key prevents relative rotation between the two parts and may enable torque transmission. For a key to function, the shaft and rotating machine element must have a keyway and a keyseat, which is a slot and pocket in which the key fits. The whole system is called a keyed joint. A keyed joint may allow relative axial movement between the parts.



## WOOD SCREWS

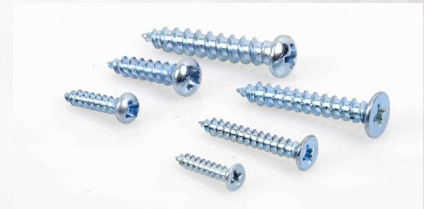
EA-WOOD SCREW KIT



SHEET METAL	QTY	WOOD	QTY
N° 6	40	N° 4	40
N° 6	40	N° 6	40
N° 8	30	N° 6	30
N° 8	20	N° 6	30
N° 8	30	N° 8	20
N° 10	20	N° 8	20

### GENERAL INFORMATION

A screw will almost always have a head on one end which contains a specially formed shape that allows it to be turned, or driven. Common tools for driving screws include screwdrivers and wrenches. The head is usually larger than the body of the screw, which keeps the screw from being driven deeper than the length of the screw and to provide a bearing surface.



## SS CANVAS FASTENERS



EA-SS CANVAS FASTNER KIT

PART	QTY	PART	QTY
SNAP TOOL	1	CANVAS STUD	10
SCREW STUD	6	CANVAS EYE	10
CANVAS CAP	10	CANVAS SOCKET	10

### GENERAL INFORMATION

Marine 300 grade stainless steel, this canvas fastener kit is perfect for outdoor use. The push button fastener can be mounted in many ways, it is used in applications such as covers and plastic removable windows on boats and anything that needs a robust removable clamp of two materials.



## SS COUNTER SUNK SCREWS



EA-SS COUNTERSUNK SCREW KIT

SIZE	QTY	SIZE	QTY
N° 6 x 1"	24	N°10 x 1-1/2"	10
N°8 x 3/4"	18	N°12 x 2"	8
N°8 x 1-1/4"	8		

### GENERAL INFORMATION

These counter sunk screws are made from 400 grade stainless steel, this helps retain the strength of the fastener and still be able to be corrosion resistant. They are used in various applications in different industries like industrial food grade, medical and general retaining.



## SS INTERNAL CIRCLIPS

EA-SS CIRCLIP INT KIT



SIZE	QTY	SIZE	QTY	SIZE	QTY
10MM	20	22MM	20	35MM	20
13MM	20	24MM	20	40MM	20
14MM	20	25MM	20	42MM	10
15MM	20	26MM	20	45MM	10
16MM	20	28MM	20	47MM	10
19MM	20	30MM	20	52MM	10
20MM	20	32MM	20		

### GENERAL INFORMATION

Circlips are used in various applications in different industries like industrial food grade machines and general retaining. These are highly demanded in domestic and international markets for their varied features like optimum quality, high performance, efficiency and utility. These fasteners are made from 400 grade stainless steel which helps retain the strength of the fastener and still be able to be corrosion resistant.



## SS EXTERNAL CIRCLIPS

EA-SS CIRCLIP EXT KIT



SIZE	QTY	SIZE	QTY	SIZE	QTY
6MM	20	15MM	20	35MM	20
7MM	20	17MM	20	38MM	20
8MM	20	19MM	20	40MM	10
9MM	20	20MM	20	42MM	10
10MM	20	25MM	20	45MM	10
12MM	20	30MM	20	50MM	10
13MM	20	32MM	20		



### GENERAL INFORMATION

We have a great range of stainless circlips for more information please contact your nearest Eureka Distributor.



## SS E-CLIPS



EA-SS E CLIP KIT

SIZE	QTY	SIZE	QTY
1.5 MM	30	12 MM	40
3 MM	30	15 MM	20
5 MM	40	19 MM	20
6 MM	50	22 MM	20
10 MM	50		

### GENERAL INFORMATION

E type Circlips are made to fit onto shafts that may or may not be precision manufactured, or you require a less expensive type of retainer. The E type circlip does not require a special pair of pliers to fit it. Used mainly for locating or retaining components from sideways movement. These fasteners are made from 400 grade stainless this helps retain the strength of the fastener and still be able to be corrosion resistant.



## MACHINE SCREWS



EA-SS SCREW KIT

SELF TAP SCREW	QTY	MACHINE SCREW	QTY
N°6 X 1"	32	N°10 x 1"	16
N°8 x 3/4"	30	N°10 x 1-1/2"	12
N°8 x 1-1/4"	14	N°10 x 2"	18
N°10 x 1-1/2"	12	1/4 x 1-1/2"	12
N°12 x 2"	14	1/4 x 2"	10
N°10 F WASHER	46	1/4 F WASHER	44
N°10 NUT	46	1/4 NUT	22

### GENERAL INFORMATION

Machine screws, Bolts and washers are the fastener of choice when it comes to assembling parts together. The fasteners supplied are grate for general use in most industrial and commercial applications. Supplied with extra nuts they can be doubled up to be used as a lock nut when tightened against each other. These fasteners are made from 400 grade stainless this helps retain the strength of the fastener and still be able to be corrosion resistant.



## SS FASTENERS



EA-SS FASTENER KIT

NUT	QTY	FLAT-WASHER	QTY	SCREW	QTY	
N°6	115	N°6	115	N°6 x 5/16"	40	
N°8	80	N°8	80	N°6 1/2"	35	
N°10	60	N°10	60	N°6 x 5/8"	30	
1/4"	45	1/4"	45	N°8 x 1/2"	25	
5/16"	20	5/16"	20	N°8 x 5/8"	25	
		SPRING		N°8 x 3/4"	20	
			N°6	115	N°10 x 5/8"	20
			N°8	80	N°10 x 3/4"	20
			N°10	60	N°10 x 1"	15
			1/4"	45	1/4 x 5/8"	15
			5/16"	20	1/4 x 3/4"	10
					1/4 x 1"	10
					5/16 x 3/4"	5
					5/16 x 1"	5
					5/16 x 1-1/4"	5



### GENERAL INFORMATION

Fasteners are used throughout all facets of industries to secure several components either permanently or temporarily. This kit comprises of machine screws, flat and spring washers and nuts. These fasteners are made from 400 grade stainless this helps retain the strength of the fastener and still be able to be corrosion resistant.

## SS ROD ENDS



EA-SS ROD END KIT

MALE	QTY	FEMALE	QTY
5 MM	2	5 MM	2
6 MM	2	6 MM	2
8 MM	2	8 MM	2
10 MM	2	10 MM	2
12 MM	2	12 MM	2

### GENERAL INFORMATION

Rod ends are used in applications that accommodate low to moderate shaft misalignment. They are also used in many aerospace, military, and automotive applications. Rod end bearings are used in steering knuckles and transmission linkages. The body is made from cast 304 stainless and PTFE insert between the body and ball which is 440c .



## COPPER WASHERS

EAR-COPPER/SIZE



SIZE	QTY	SIZE	QTY
5x10x1 MM	10	12.5x20x1.5 MM	10
6x10x1 MM	10	14x18x1 MM	10
7x10x1 MM	10	14x20x1.5 MM	10
8x12x1 MM	10	15x20x2 MM	10
10x16x1 MM	10	16x22x2 MM	10
10.5x17x1.5 MM	10	16.5x24x2 MM	10
11x17x1.5 MM	10	17.5x24x2 MM	10
12x20x1.5 MM	10		

### GENERAL INFORMATION

All replacement packs come in a pack of 10 pieces. If you notice you are using a particular size in your kit you can always buy multiple packs of that one size.

## SEALING WASHERS

EAR-RUB/SIZE EAR-FIBER/SIZE



RUBBER	QTY	FIBER	QTY
9.5x17.5x4MM	10	12x17x0.7MM	10
15x24x3 MM	10	20x24x1 MM	10

### GENERAL INFORMATION

All replacement packs come in a pack of 10 pieces. If you notice you are using a particular size in your kit you can always buy multiple packs of that one size.

## GREASE NIPPLES

EAR-GREASE NIPPLE MET/SIZE



METRIC	QTY	IMPERIAL	QTY
M6 x 1	10	1/8-27 NPT	10
M6 x 1 45°	10	1/8-27 NPT 45°	10
M6 x 1 90°	10	1/8-27 NPT 90°	10
M8 x 1.25	10	1/4-28 BSP	10
M8 x 1.25 45°	10	1/4-28 BSP 45°	10
M8 x 1.25 90°	10	1/4-28 BSP 90°	10
M10 x 1.5	10		
M10 x 1.5 45°	10		
M10 X1.5 90°	10		

### GENERAL INFORMATION

All replacement packs come in a pack of 10 pieces. If you notice you are using a particular size in your kit you can always buy multiple packs of that one size.

## RUBBER GROMMETS

EAR-GROMMET/SIZE



OPEN	QTY	CLOSED	QTY
1/8x1/4"	10	9/35"	10
7/32x5/16"	10	3/8"	10
9/32x1/2"	10	1/2"	10
5/16x9/16"	10	5/8"	10
3/8x15/32"	10	3/4"	10
3/8x1/2"	10	7/8"	10
3/8x13/16"	10	1"	10
7/16x3/4"	10		
1/2x19/32"	10		
5/8x31/32"	10		
3/4x15/16"	10		

### GENERAL INFORMATION

All replacement packs come in a pack of 10 pieces. If you notice you are using a particular size in your kit you can always buy multiple packs of that one size.

## HEAT SHRINK TUBE

EAR-HEATSHRINK/SIZE



SIZE	QTY	SIZE	QTY
2 x 40 MM	10	7 x 80 MM	10
2.5 x 40 MM	10	10 x 80 MM	10
3.5 x 40 MM	10	13 x 85 MM	10
5 x 40 MM	10		

### GENERAL INFORMATION

All replacement packs come in a pack of 10 pieces. If you notice you are using a particular size in your kit you can always buy multiple packs of that one size.

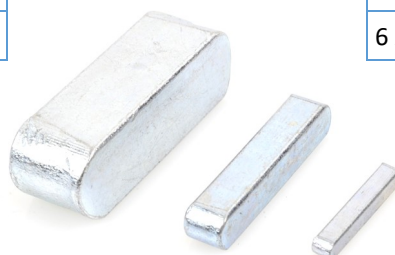
## KEY STEEL

EAR-KEY / SIZE

SIZE □	QTY	SIZE □	QTY
1/8 x 3/4"	10	1/4 x 1.1/2"	10
1/8 x 1"	10	5/16 x 1.1/4"	10
3/16 x 3/4"	10	5/16 x 1.1/2"	10
3/16 x 1"	10	3/8 x 1.1/4"	10
3/16 x 1.1/4"	10	3/8 x 1.1/2"	10
1/4 x 3/4"	10	1/2 x 1.1/2"	10
1/4 x 1.1/4"	10		

EAR-KEY / SIZE

SIZE □	QTY	SIZE □	QTY
3 x 20MM	10	6 x 40MM	10
3 x 25MM	10	8 x 30MM	10
5 x 20MM	10	8 x 40MM	10
5 x 25MM	10	10 x 30MM	10
5 x 30MM	10	10 x 40MM	10
6 x 20MM	10	12 x 40MM	10
6 x 30MM	10		



### GENERAL INFORMATION

All replacement packs come in a pack of 10 pieces. If you notice you are using a particular size in your kit you can always buy multiple packs of that one size.



## RECOILS



### GENERAL INFORMATION

The recoil has been designed to permanently repair a damaged thread back to the original size. These kits come in many diameters, pitches and lengths. The applications of use are endless. Please contact your nearest Eureka Distributor for more information on this product.

## ROLL PINS

### EAR-ROLL PIN/ SIZE



SIZE	QTY	SIZE	QTY	SIZE	QTY
1.5 x 5	10	3 x 25	15	5.5 x 45	10
1.5 x 8	10	3 x 30	15	6 x 16	10
1.5 x 20	10	4 x 16	10	6 x 30	10
2 x 6	10	4 x 25	10	6 x 45	10
2 x 12	10	4 x 40	10	8 x 20	10
2 x 25	10	5 x 16	10	8 x 40	10
2.5 x 16	10	5 x 25	10	8 x 50	10
2.5 x 25	10	5 x 30	10	10 x 20	10
2.5 x 30	10	5.5 x 16	10	10 x 30	10
3 x 16	10	5.5 x 30	10	10 x 40	10

### GENERAL INFORMATION

All replacement packs come in a pack of 10 pieces. If you notice you are using a particular size in your kit you can always buy multiple packs of that one size.



## SPLIT PINS

EA-SPLITPIN/ SIZE

SIZE	QTY	SIZE	QTY
1/16 x 1"	10	1/8 x 1-1/4"	10
3/32 x 1"	10	1/8 x 2 "	10
3/32 x 1-1/2"	10	5/32 x 2-1/2"	10



### GENERAL INFORMATION

All replacement packs come in a pack of 10 pieces. If you notice you are using a particular size in your kit you can always buy multiple packs of that one size.

## WOODRUFF KEYS

EA-WOODRUFF KEY / SIZE

SIZE	QTY	SIZE	QTY
3x5x13MM	10	4x7.5x19MM	10
3x6.5x16MM	10	5x7.5x19MM	10
4x5x13MM	10	5x9x22MM	10
4x6.5x16MM	10	6x9x22MM	10



### GENERAL INFORMATION

All replacement packs come in a pack of 10 pieces. If you notice you are using a particular size in your kit you can always buy multiple packs of that one size.



We have a great range of products for more information please contact your nearest Eureka Distributor.

STAND 525



Eureka Assortments, can cover most of your display options.

This is one of our free standing display stands which can display our products such as Bronze bushes, Shaft collars, Semi precision bearings and Rod ends. This stand comes flat packed for minimal distribution cost, and slides together for ease of assembly. The stand is powder coated white to prevent it deteriorating. The stand comes with hanging hooks and product sign which can be tailored to your needs. Dimensions of stand 525 x 1500 mm comes with 64 hooks.



EA-STAND



Eureka Assortments, can cover most of your display options.

This display stands which can hold up to 28 different types of our kits can be tailored to suit your industries needs.

STAND 1200



Eureka Assortments, can cover most of your display options.

This is one of our shop display stands which can display products as shown above. As seen in image this stand can be joined together to fill the length of your showroom. The stand is powder coated white to prevent it deteriorating. The stand comes with hanging hooks and product sign which can be tailored to your needs. Dimensions of stand 1200 x 2300 mm. (image is three stands joined together.)



PART— EA-BOX 1

DIMENSIONS— 205 x 105 x 30 MM

SECTIONS— 6 x 3



PART—EA- BOX 2

DIMENSIONS— 270 x 180 x 50 MM

SECTIONS— 6 x 3



PART—EA- BOX 5

DIMENSIONS— 280 x 176 x 165 MM

SECTIONS— 2



## THREAD CHART

ISO METRIC (60° angle)

NOMINAL DIAMETER	PITCH		DRILL TAP SIZE
	COARSE	FINE	
2.0	0.40		1.60
2.2	0.45		1.75
2.5	0.45		2.05
3.0	0.50		2.50
3.5	0.60		2.90
4.0	0.70		3.30
4.5	0.75		3.70
5.0	0.80		4.20
6.0	1.00		5.00
7.0	1.00		6.00
8.0	1.25		6.80
8.0		1.00	7.00
10.0	1.50		8.50
10.0		1.25	8.80
12.0	1.75		10.20
12.0		1.25	10.80
14.0	2.00		12.00
14.0		1.50	12.50
16.0	2.00		14.00
16.0		1.50	14.50
18.0	2.50		15.50
18.0		1.50	16.50
20.0	2.50		17.50
20.0		1.50	18.50

IMPERIAL COARSE (60° angle)

NOMINAL DIAMETER	PITCH	UNC
	TPI	DRILL TAP SIZE
N°1	64	1.5MM
N°2	56	1.8MM
N°3	48	2.1MM
N°4	40	2.3MM
N°5	40	2.6MM
N°6	32	2.85MM
N°8	32	3.5MM
N°10	24	3.9MM
N°12	24	4.5MM
1/4"	20	13/14"
5/16"	18	6.6MM
3/8"	16	8.0MM
7/16"	14	9.4MM
1/2"	13	10.75MM
9/16"	12	31/64"
5/8"	11	35/64"
3/4"	10	21/32"
7/8"	9	19.5MM
1"	8	7/8"

IMPERIAL FINE (60° angle)

NOMINAL DIAMETER	PITCH	UNF
	TPI	DRILL TAP SIZE
N°1	72	1.6MM
N°2	64	1.8MM
N°3	56	2.1MM
N°4	48	2.4MM
N°5	44	2.7MM
N°6	40	2.95MM
N°8	36	3.5MM
N°10	32	4.1MM
N°12	28	4.6MM
1/4"	28	5.5MM
5/16"	24	7.0MM
3/8"	24	8.5MM
7/16"	20	25/64"
1/2"	20	29/64"
9/16"	18	13.0MM
5/8"	18	14.5MM
3/4"	16	17.5MM
7/8"	14	20.5MM
1"	12	59/64"



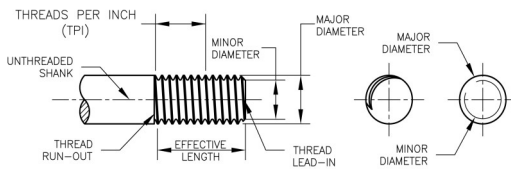
# THREAD CHART

## IMPERIAL PIPE (60° angle)

PITCH		NPT
NOMINAL DIAMETER	TPI	DRILL TAP SIZE
1/8"	27	8.7MM
1/4"	18	11.1MM
1/2"	14	18.0MM
3/4"	14	23.25MM
1.1/4"	11.5	38.0MM
1.1/2"	11.5	44.0MM
2"	11.5	56.0MM

## BRITISH STANDARD WHITWORTH FORM THREADS (55° degree angle)

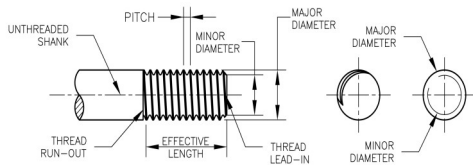
NOMINAL DIAMETER	BSW		BSF		BSP & BSPT		WHITFORM	
	TPI	Drill mm	TPI	Drill mm	TPI	Drill mm	TPI	Drill mm
1/16"	60	1.2						
3/32	48	1.9						
1/8"	40	2.55			28	8.8		
5/32	32	3.2						
3/16	24	3.7	32	4.0				
7/32	24	4.5	28	4.6				
1/4"	20	5.1	26	5.3	19	11.8	24, 28	5.3, 5.4
9/32	20	5.8	26	6.0				
5/16	18	6.5	22	6.8			24	5.75
3/8"	16	7.9	20	8.3	19	15.25	24	8.4
7/16	14	9.3	18	9.7			20, 24	9.8, 10
1/2"	12	10.5	16	11.1	14	19.0	20, 24	11.5, 11.9
9/16	12	12.1	16	12.7			20	13.1
5/8"	11	13.5	14	14.0	14	21.0	20	14.5
11/16	11	15.1	14	15.5			20	16.2
3/4"	10	16.25	12	16.75	14	24.5	14, 20	17.1, 17.8
7/8	9	19.25	11	19.75	14	28.25	16, 20	20.6, 21
15/16	9	20.6	11	21.5				
1"	8	22.0	10	22.75	11	30.75	12, 20	23, 24
1.1/8	7	24.75	9	25.5				
1.1/4	7	28.0	9	28.5	11	39.5		
1.3/8	6	30.1	8	31.5				
1.1/2	6	33.5	8	34.5	11	45.0		
1.3/4	5	39.0	7	41.0	11	51.0		
2"	4.1/2	44.5	7	47.0	11	57.0		



TYPICAL SPECIFICATIONS

1/4 - 28 UNF x 1

NOMINAL THREAD      PITCH (TPI)      VEE THREAD FORM      EFFECTIVE LENGTH



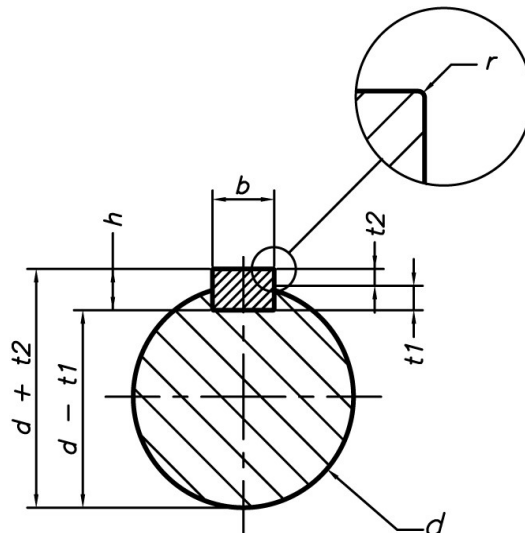
TYPICAL SPECIFICATIONS

M 16 x 2 x 45

METRIC VEE THREAD FORM      NOMINAL THREAD      PITCH      EFFECTIVE LENGTH

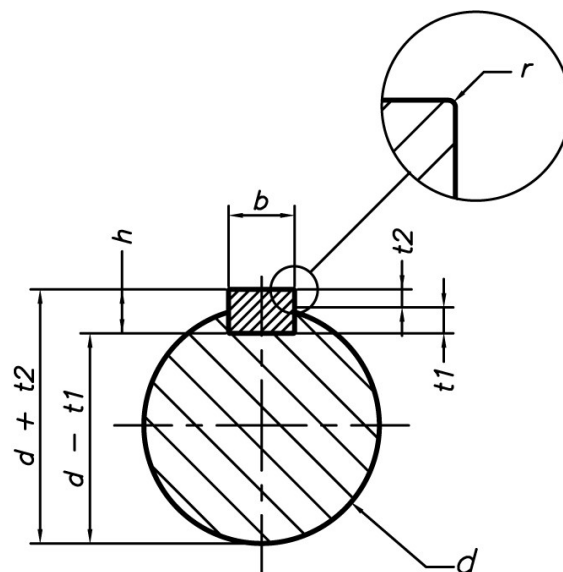
**KEYWAY STANDARDS – METRIC**

OVER	TO (inc)	KEY SIZE <i>b x h</i>	SHAFT <i>t1</i>		HOUSING <i>t2</i>		RADIUS <i>r</i>	
			NOM	TOL	NOM	TOL	MAX	MIN
10	12	4 x 4	2.5	+0.1 0	1.8	+0.1 0	0.16	0.08
12	17	5 x 5	3		2.3		0.25	0.16
17	22	6 x 6	3.5		2.8		0.25	0.16
22	30	8 x 7	4	+0.2 0	3.3	+0.2 0	0.25	0.16
30	38	10 x 8	5		3.3		0.40	0.25
38	44	12 x 8	5		3.3		0.40	0.25
44	50	14 x 9	5.5		3.8		0.40	0.25
50	58	16 x 10	6		4.3		0.40	0.25
58	65	18 x 11	7		4.4		0.40	0.25
65	75	20 x 12	7.5		4.9		0.60	0.40
75	85	22 x 14	9	+0.3 0	5.4	+0.3 0	0.60	0.40
85	95	25 x 14	9		5.4		0.60	0.40
95	110	28 x 16	10		6.4		0.60	0.40
110	130	32 x 18	11		7.4		0.60	0.40
130	150	36 x 20	12		8.4		1.00	0.70
150	170	40 x 22	13	+0.3 0	9.4	+0.3 0	1.00	0.70
170	200	45 x 25	15		10.4		1.00	0.70
200	230	50 x 28	17		11.4		1.00	0.70



### KEYWAY STANDARDS – IMPERIAL

OVER	TO (inc)	KEY SIZE <i>b x h</i>	SHAFT <i>t1</i>		HOUSING <i>t2</i>		RADIUS <i>r</i>	
			NOM	TOL	NOM	TOL	MAX	MIN
1/4	1/2	1/8 x 1/8	0.072	+0.01 0	0.060	+0.01 0	0.010	0.008
1/2	3/4	3/16 x 3/16	0.107		0.088		0.010	0.008
3/4	1	1/4 x 1/4	0.142		0.115		0.010	0.008
1	1-1/4	5/16 x 5/16	0.177	+0.015 0	0.142	+0.015 0	0.010	0.008
1-1/4	1-1/2	3/8 x 3/8	0.213		0.169		0.010	0.008
1-1/2	1-3/4	7/16 x 7/16	0.248		0.197		0.020	0.016
1-3/4	2	1/2 x 1/2	0.283		0.224		0.020	0.016
2	2-1/2	5/8 x 5/8	0.354	+0.02 0	0.278	+0.02 0	0.020	0.016
2-1/2	3	3/4 x 3/4	0.424		0.333		0.020	0.016
3	3-1/2	7/8 x 7/8	0.495		0.387		0.062	0.059
3-1/2	4	1 x 1	0.566		0.442		0.60	0.059
4	5	1-1/4 x 1-1/4	0.707		0.551		0.60	0.059
5	6	1-1/2 x 1-1/2	0.848	0.661	0.60	0.059		





### WOOD /METAL SCREWS

SCREW SIZE	FRACTION	DECIMAL	MILLIMETER
N°1	1/16	0.0625	1.5875
N°2	5/64	0.078125	1.98437
N°3	3/32	0.09375	2.38125
N°4	7/64	0.109375	2.77812
N°5	1/8	0.125	3.175
N°6	9/64	0.140625	3.57187
N°8	5/32	0.15625	3.96875
N°9	11/64	0.171875	4.36562
N°10	3/16	0.1875	4.7625
N°11	13/64	0.203125	5.15937
N°12	7/32	0.21875	5.55625
N°13	15/64	0.234375	5.95312
N°14	1/4	0.250	6.35
N°16	17/64	0.265625	6.74687
N°18	19/64	0.296875	7.54062
N°20	5/16	0.3125	7.9375
N°24	3/8	0.375	9.525

### WIRE GAUGE

AWG #	Diameter (mm)	Diameter (inch)	Area (mm <sup>2</sup> )
0000 (4/0)	11.6840	0.4600	107.2193
000 (3/0)	10.4049	0.4096	85.0288
00 (2/0)	9.2658	0.3648	67.4309
0 (1/0)	8.2515	0.3249	53.4751
1	7.3481	0.2893	42.4077
2	6.5437	0.2576	33.6308
3	5.8273	0.2294	26.6705
4	5.1894	0.2043	21.1506
5	4.6213	0.1819	16.7732
6	4.1154	0.1620	13.3018
7	3.6649	0.1443	10.5488
8	3.2636	0.1285	8.3656
9	2.9064	0.1144	6.6342
10	2.5882	0.1019	5.2612
11	2.3048	0.0907	4.1723
12	2.0525	0.0808	3.3088
13	1.8278	0.0720	2.6240
14	1.6277	0.0641	2.0809
15	1.4495	0.0571	1.6502
16	1.2908	0.0508	1.3087
17	1.1495	0.0453	1.0378
18	1.0237	0.0403	0.8230
19	0.9116	0.0359	0.6527
20	0.8118	0.0320	0.5176









**EUREKA**  
**ASSORTMENTS**



[www.eureka-assortment.com](http://www.eureka-assortment.com)

Catalogue 2017